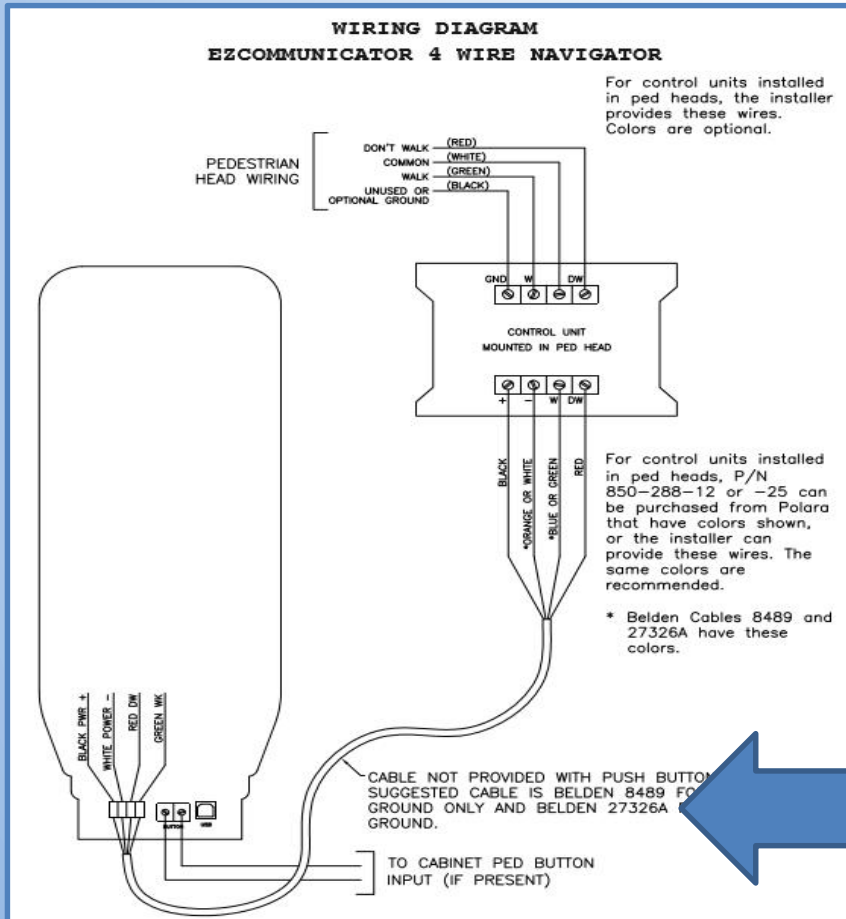


Replacing a Polara EN4 (4 Wire) APS with a Polara iN3 (3 Wire) APS

Note: The EN4 (4 Wire) APS is a 18V DC system & The iN3 (3 Wire) APS is a 24V DC system

The Push Button Station & Ped Head Control Units are **not compatible**. Each **must match** applicable model system. **However**, if you are replacing an existing EN4 (4 Wire) APS, you can use the **existing 4 Wire Cable for the iN3**, with the following instructions (wiring info also found in the iN3 Manual)



Convert 4 Wire Cable to 3 Wire:

After installing the new iPHCU3W (iN3 Ped Head Control Unit), Connect three of the 4 existing cable wires to the iPHCU3W, and the same three wires from the iPHCU3W to the terminal block on the iN3 push button station. **Make sure the wiring matches at both ends according to the Data, GND, and PWR labels at the terminals**
The 4th wire will not be used and can be taped off on both ends

EN4 (4 Wire) to iN3 (3 Wire)

