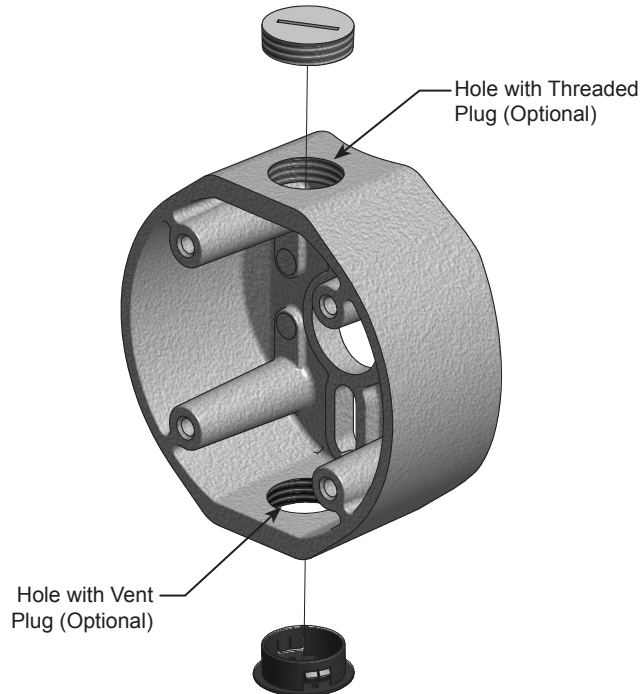


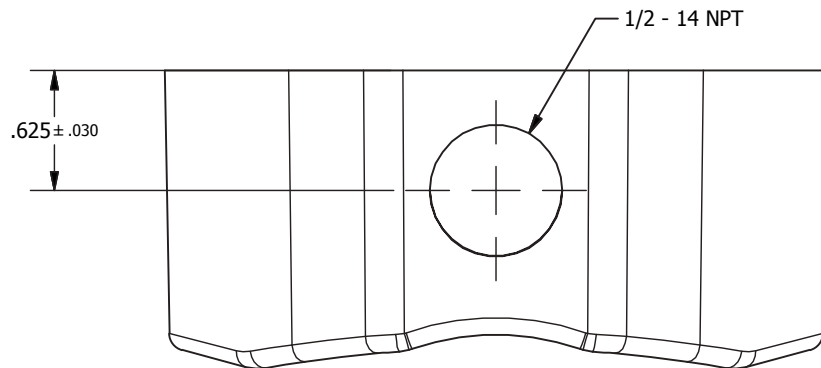


APBC2: ALUMINUM PUSH BUTTON CUP 2



This cast Aluminum Button Cup is designed to provide a very strong mount for Polara's Bulldog Push Button. The main body of the button extends only 2 inches from the pole. This low profile provides very little foot hold for kids who like to climb poles; and it is a very rugged answer to vandals who try to damage buttons. Each cup comes with 1/4-20 stainless steel mounting bolts and washers.

Order standard, no NPT (National Pipe Thread) holes Cup for use on poles with internal wiring. Optionally, the Cup can be ordered with one or two NPT holes for when wires are routed through conduit. One hole versions come with one 1/2" NPT hole and a threaded plug. Two hole versions come with two 1/2" NPT holes and a vent plug in addition to the threaded plug.



Product Ordering Information

