

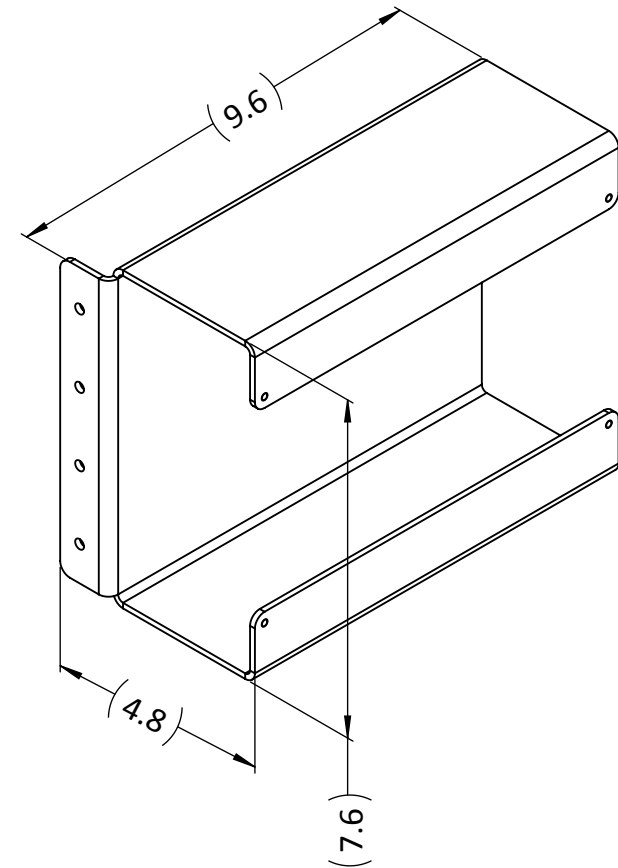
CCU-BRKT: CCU Bracket Mount

This mount is designed to hold a CCU2EN or iCCU-S/BIU type Control Unit and bolt to a rack channel with EIA universal spacing.

All features are mirrored so that it can be mounted on the left or right rack channel.

10-32 screws are provided for attaching the mount to the rack and 8-32 screws are provided for securing the Control Unit in the mount.

The mount is made from aluminum.



Dimensions are in inches.