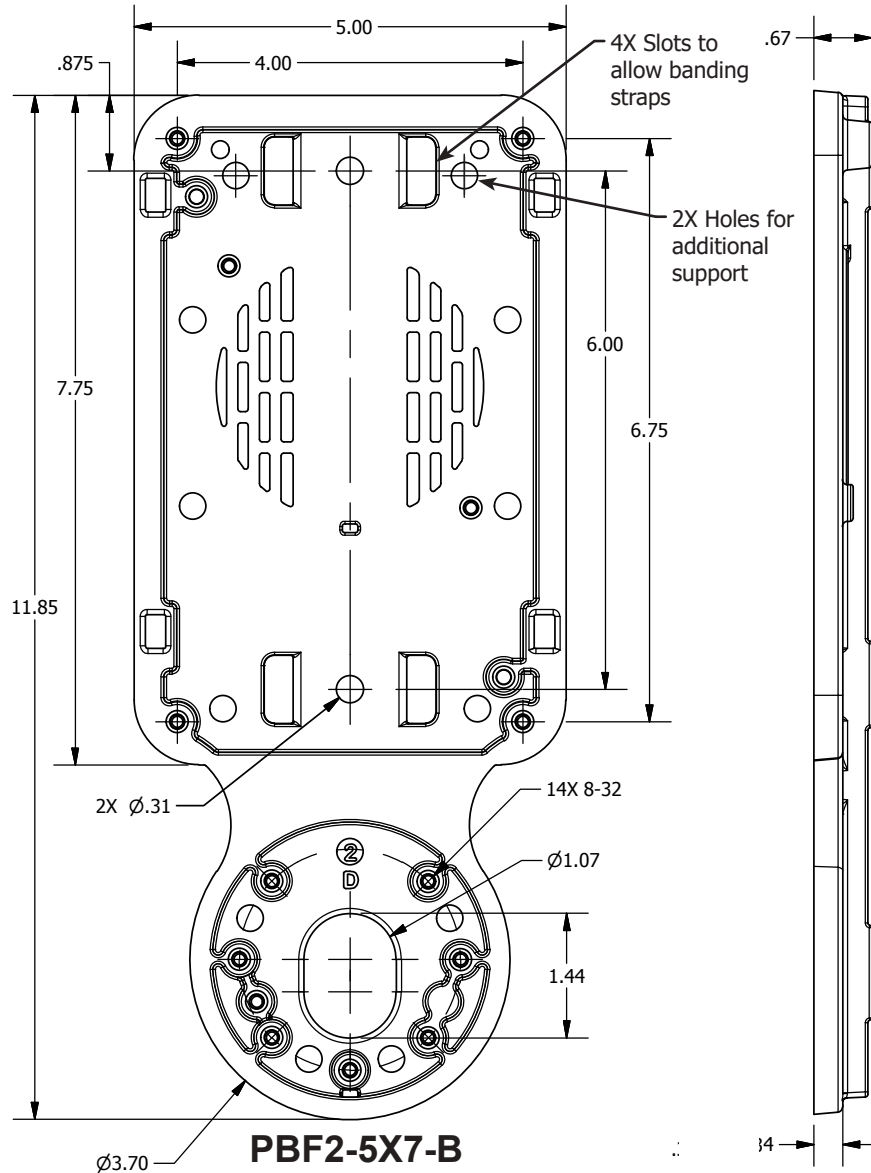




PBF2: PUSH BUTTON FRAME 2



Polara's Push Button Frames are constructed to mount on a 2½" diameter pole up to a 24" diameter pole, or a flat surface. The cast aluminum structure and powder coated finish provides a low profile, very strong, and attractive mount for a pedestrian push button and sign.

Polara's Frame is designed to mount a Polara Bulldog push button to create an attractive low profile push button station. Just add one of Polara's many available sign options and the station is complete.

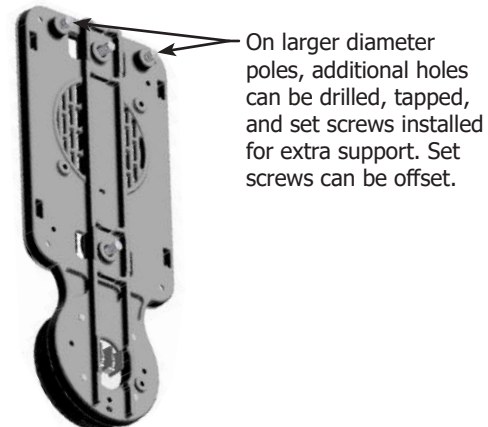
Stabilizing bars are not required because of a contoured channel which allows it to firmly seat on a pole. However, if more stabilization is needed, the design provides 2 additional holes that can be drilled and tapped for installation of two 1/4-20 bolts/set screws to provide additional support. The Frame is also slotted to allow banding (with up to 3/4" banding straps) to a pole.

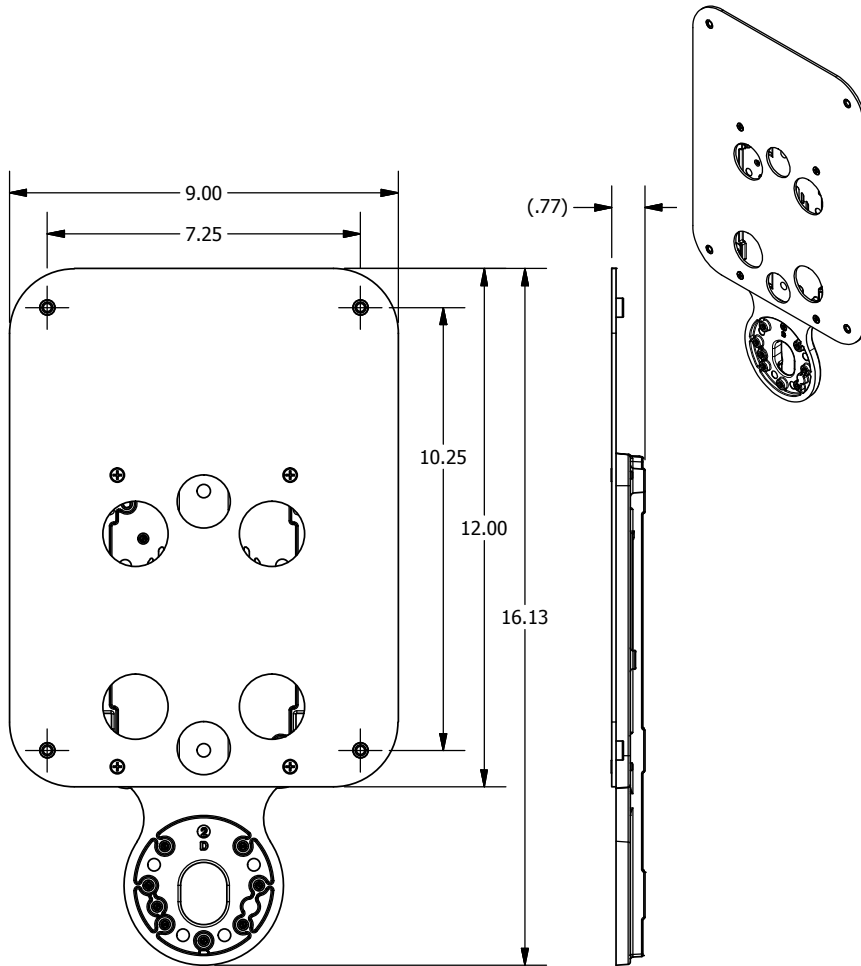
As very little of the frame is exposed when the sign and push button are installed, **this product only comes in black.**

To allow for the installation of 9"x12" or 9"x15" signs, adapter plates (PBFA) are available for easy field conversion. The frame can also be ordered as a 9"x12" or 9"x15" frame already assembled.

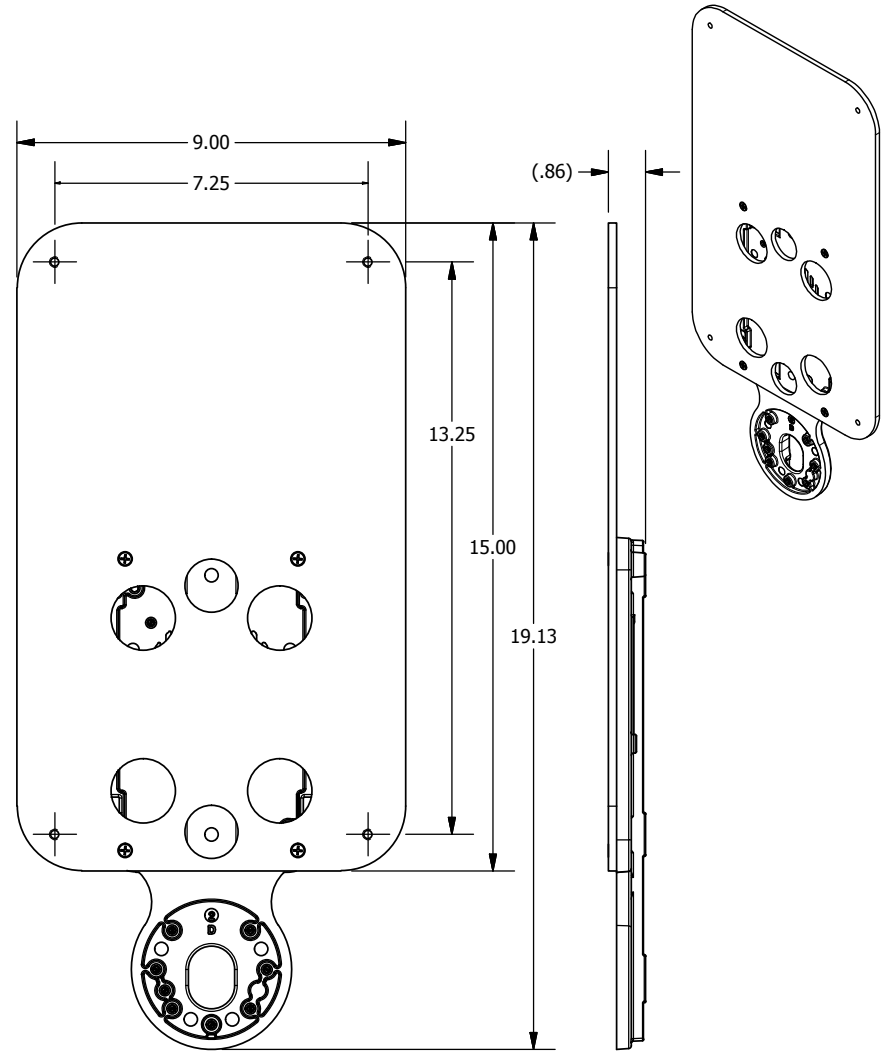
Material: Aluminum

Assembled Frame PN	9"x12" Plate Adapter	9"x15" Plate Adapter
PBF2-5X7-B	PBFA9X12-B	PBFA9X15-B
PBF2-9X12-B	-	-
PBF2-9X15-B	-	-





PBF2-9X12-B



PBF2-9X15-B