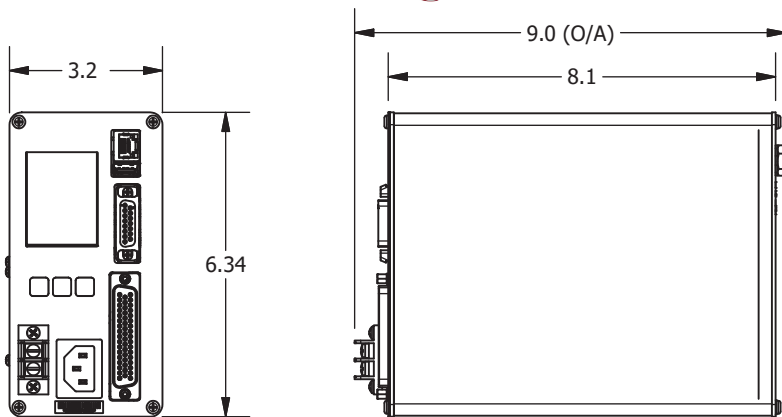


iCCU-S – INTELLIGENT CENTRAL CONTROL UNIT FOR SHELF MOUNT



Dimensions are in inches. All dimensions are reference only and subject to change without notice.

The iCCU-S is designed to work in all style cabinets as the intelligent control unit for Polara's iN2 accessible push button stations (PBS) when the 50 pin harness is used. The system includes a small interconnect panel (PN: iN2-ICB) to allow connection to 16+ PBSs. Each iN2 PBS connects with two wires. All PBS connect in parallel and do not have a polarity requirement.

This model also supports SDLC communication in TS1 and TS2 cabinets when a TS2 controller operating in TS2 mode, with an MMU, is utilized (**There must be an MMU**). If **just** PED Walk / Don't Walk interval information is communicated by SDLC, the 50 pin harness is still needed. If both PED interval information and call placements are communicated, the 50 pin harness is not needed, unless preemption is also required.

The iCCU-S front panel includes a backlit LCD for displaying system status information. Front panel buttons are used during setup, placing test calls, and to enable Wi-Fi. All setup functions can be performed via Ethernet or Wi-Fi using a PC. Setup is also supported using an iPhone or iPad via Wi-Fi. In addition, configuration via Bluetooth is supported by pairing with any connected iN2 PBS using a PC, iPhone, or iPad. All of the connection options provide full access to setup and configuration options of both the iCCU-S and all connected iN2 PBSs. Polara provides free apps for both Windows PCs (Win 7+) and iOS (8.0+) devices.

Multiple configurations are supported, with the ability to change operational features based on time of day. General purpose inputs are available for options such as a voice message on emergency vehicle preemption. The system has internal conflict monitoring and health log data capture that is both downloadable and contains extensive status/fault reporting. Remote Monitoring can be done over Ethernet.

Optional SDLC:

P/N: iN2-SDLC-YCABLE for 4 ft. "Y" Cable (order separately if needed)

P/N: iN2-SDLC-CABLE for Straight Cable (order separately if needed)

Ped Walk / Don't Walk Inputs (from load switches, via 50 pin harness):

Optically Isolated 80 – 150 Volts AC/DC, 5mA max.

Ped Call Outputs (to traffic controller, via 50 pin harness):

Optically Isolated 36 Volts AC/DC peak

300mA Solid State Fused Contact Closure

PBS Power Output:

Nominal 24 Volts DC, Short Circuit Protected - Auto Recovering

General Purpose Inputs:

10 – 36 Volts AC/DC peak, 10mA max, Optically Isolated

Environmental:

Operating: -34°C (-30°F) to +74°C (+165°F)*

Storage: -45°C (-50°F) to +85°C (+185°F)

Warranty: 3 year limited

*The LCD temperature range is limited to -20°C to +70°C operational.