



## iDS2: "iNS" iNavigator 2-Wire Push Button Station with iDetect Option & PedApp®

For standard APS functions and details, please see iNS Push Button Station Cut Sheet

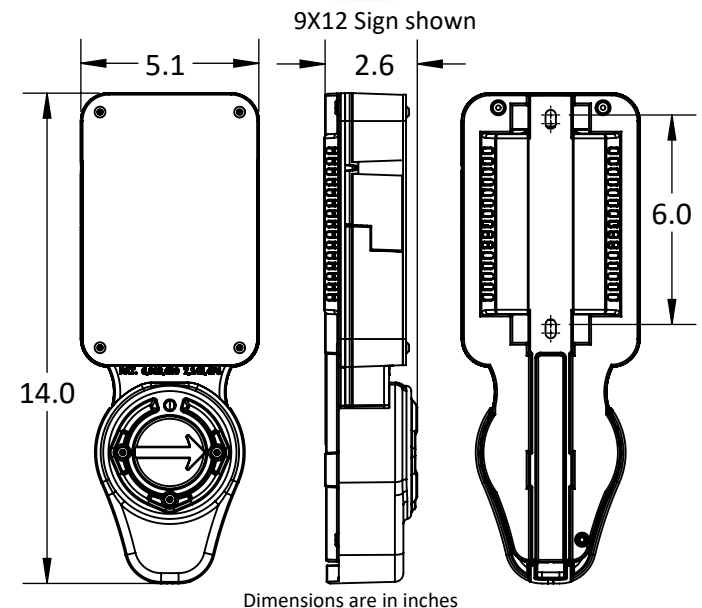
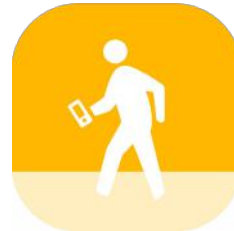
### iDS = iDetect Touchless Actuation Option

- Detects movement typically within 1-4 inches, adjustable detection range of 1-20 inches
- Inconspicuous Radar Detection - Vandal Resistant
- Adjustable "Minimum Wave Detection Time" 0ms, 50ms, 250ms, & 500ms
- Detection not impeded by ice buildup

### PedApp® - Smartphone App - Wireless Bluetooth® 5

(Available/compatible with iNS and iDS systems)

- For Visually impaired & All Pedestrians, allows button actuation from phone via Bluetooth wireless technology
- Can provide intersection crossing information - location, directionality
- Provides same information as visual indication (Don't Walk, Walk, Ped Clearance, and audible countdown if programmed)
- Agency can control Ped App usage at intersections
- Works with "Text to speech" in Smartphones
- Recommend agencies to use/implement at pedestrian requested APS sites



See iNS2 Cut Sheet for detailed list of features



Operating Specifications	
Parameter	Rating
Operating Temp. Range	-34°C to +74°C (-30°F to +165°F)†
Storage Temp. Range	-45°C to +85°C (-50°F to +185°F)
Operating Force	3.0 lbs max, option of 3 adjustable programmed forces
Switch Operating Life	Greater than 20 million operations
Max. Volume	100 dB @ 1 meter

Design Compliance	
Functionality Test Type	Compliance
Temperature and Humidity	MUTCD 2009-4E
Transient Voltage Protection	NEMA TS2
Transient Suppression	NEMA TS2
Mechanical Shock and Vibration	NEMA TS2
iNS3 PBS Enclosure	NEMA 250 Type 4X
Electrical Reliability	NEMA TS2

Notes:

1. Lab tested to applicable sections of referenced standards
2. All specifications are subject to change without notice
3. All specifications are typical unless otherwise specified

† iDetect touchless actuation will work as specified in the range of -20°C to -60°C (-4°F to +140°F). Detection could fluctuate and be reduced/less responsive outside of the specified range. All normal PBS functions will work through the extended NEMA temperature ranges. iDetect is an additional feature/supplement to the PBS.

## iDS2 5 A N 0 - B - BD-ES

**Additional Options**

NA - No Arrow  
BD - Bi-Directional Arrow

**Other Options**

WPC - With pole cap  
ES - External Speaker option

**Button Cover Color**

Back plate is always black.  
B - Black  
G - Green  
Y - Yellow

**Audio Message Option**

0 - Standard messages  
1 - Custom Messages

**Braille**

N - No braille on faceplate  
B - Braille on faceplate

**Faceplate (Sign)**

**MUTCD Compliant**

V - 9x12 R10-3  
U - 9X12 R10-3b  
T - 9x15 R10-3e

**Non-MUTCD Compliant**

A - 5x7- International  
B - 5x7- International  
C - 9X12- Countdown  
D - 5X7 or 9x12- International

**E - 5X7 Touchless**

**O - No Faceplate**

**R - 9X12 or 9X15 Touchless**

**Size of Front Plate Adapter**

5 - 5" x 7"  
9 - 9" x 12"  
3 - 9" x 15"

**Navigator Family**

iNS2 - iNavigator S 2-Wire Push Button without iDetect

**iDS2 - with iDetect Option**