

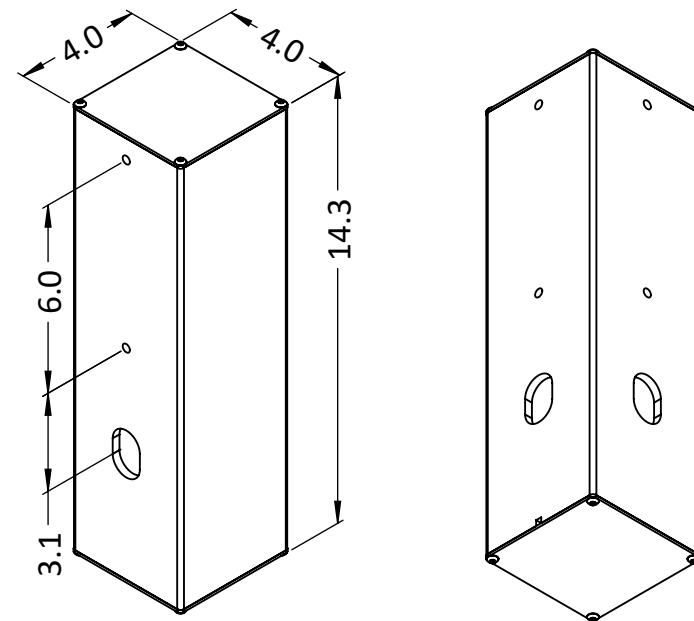
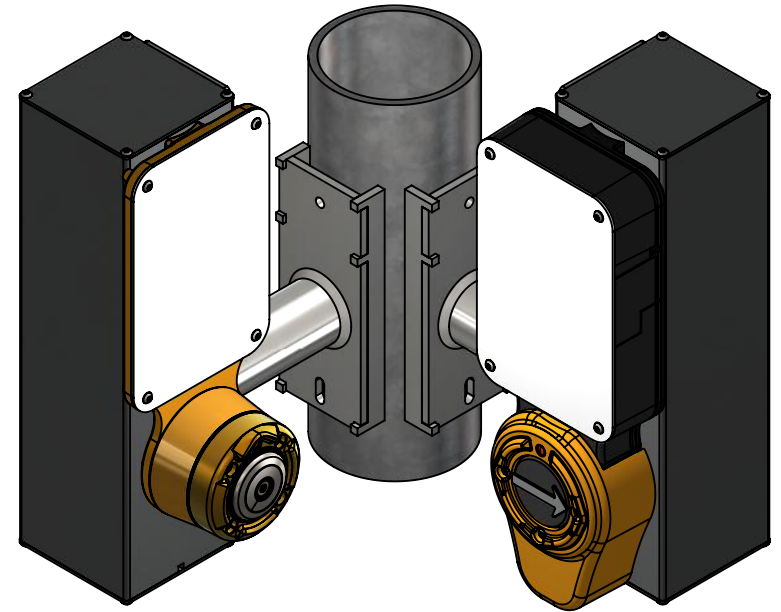


## iNS-90DEGADPTR: Universal 90 Degree Adapter

This 90° adapter is designed to mount all iNavigator PBS models (iN and iNS) and all push button station models (PBF2 and PBF2C) to either the right or left of a mounting extender. The hole pattern on both faces of the adapter is identical, so the adapter can be used in either orientation without needing to alter the extender. It can be used with any extender mount design.

The adapter is mounted to the extender with two 3/4" long 1/4-20 bolts. The iNavigator PBS or PBF2C is mounted to the adapter with two 1-1/4" long 1/4-20 bolts and nuts. The end caps are removable for easy access into the adapter's interior and they are secured to the adapter with 1/2" long 8-32 security screws. All mounting hardware as well as the end caps are included.

The adapter is constructed from aluminum with a black powdercoat finish. Optional coatings and colors can be quoted upon request.



Dimensions are in inches.