



## iNS-EXT-XX: Mounting Extender for iN and iNS Navigator, PBF2, and PBF2C

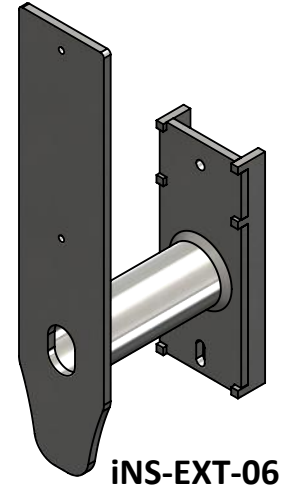
The MUTCD specifies a maximum button height of 48" with no minimum specified. The recommended height is typically 42" above ground/standing grade, but it can be lower.

This mounting extender is designed to mount an "iN" or "iNS" Navigator, PBF2, or PBF2C either 6" or 12" from a traffic pole in order to extend the unit closer to the crosswalk. It is best used for new installations.

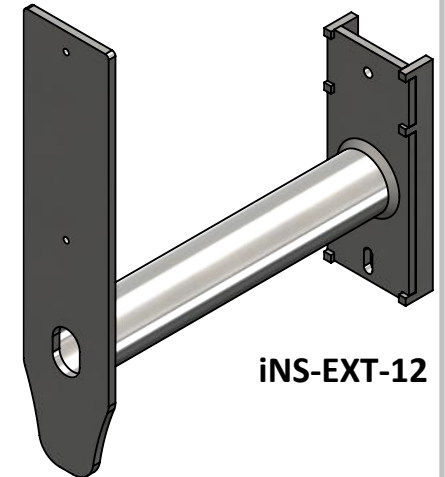
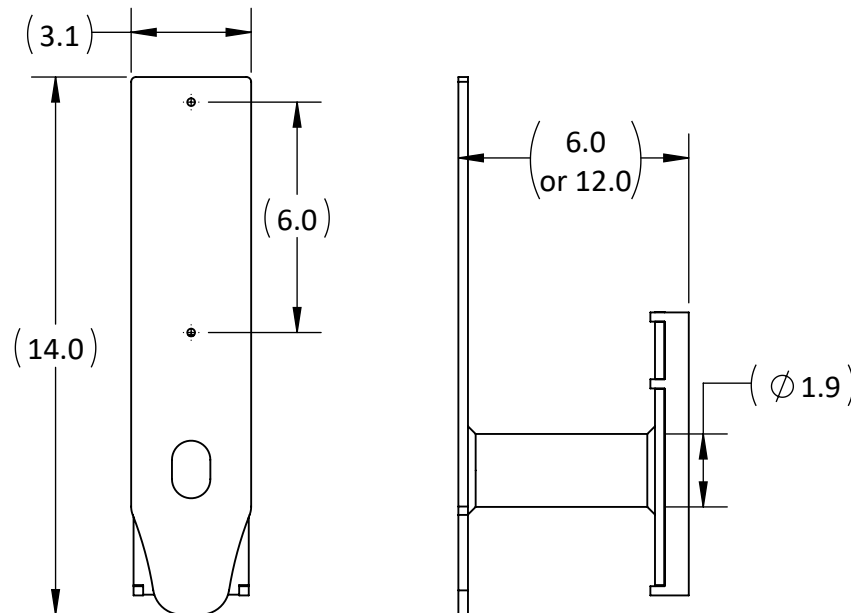
**Note:** If an existing push button frame with 6" spaced mounting holes already exists on the pole, and the same 6" spaced holes will be used to mount this extender, the button height of the unit mounted on the extender will be approximately 5" higher than the height of the button that was mounted directly on the pole. **If maintaining close to the original button height is necessary, use the iNS-EXTANG-XX extender.**

This extender can be fastened to the pole by either banding (up to 1" wide) or bolted using the two ¼-20 mounting bolts supplied with each extender.

This mount is constructed from welded steel, with a hot dipped galvanize coating.



iNS-EXT-06



iNS-EXT-12

### Product Ordering Information

iNS-EXT-06	6" extender
iNS-EXT-12	12" extender

Dimensions are in inches.