

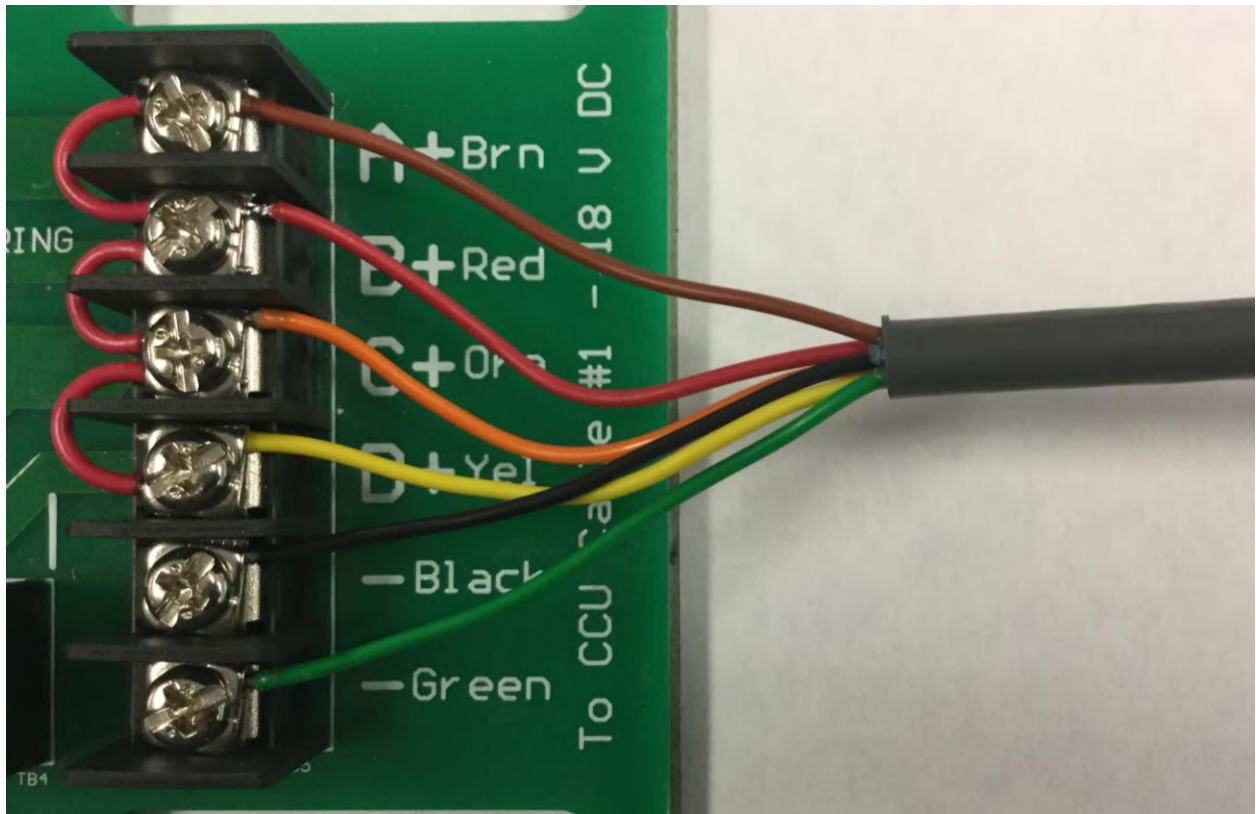
Date: 06/29/2017

Situation: Using an EN2 Interconnect Board with an iCCU-S.

Installation of iCCU-S with Fail Safe Interconnect Board (850-186) or EZ200 Interconnect Board (850-317) may compromise power delivery and signal integrity of an iN2 system.

Solution:

Addition of jumper wires to the Cable 1 Terminal Block, that short Channels A, B, C, and D together, will optimize power delivery and signal integrity. (See page 2 for images of each board type.)



Todd Hamilton
Engineering Technician
Polara Engineering, Inc.
9153 Stellar Court
Corona, CA 92883
(714) 521-0900
www.polara.com

